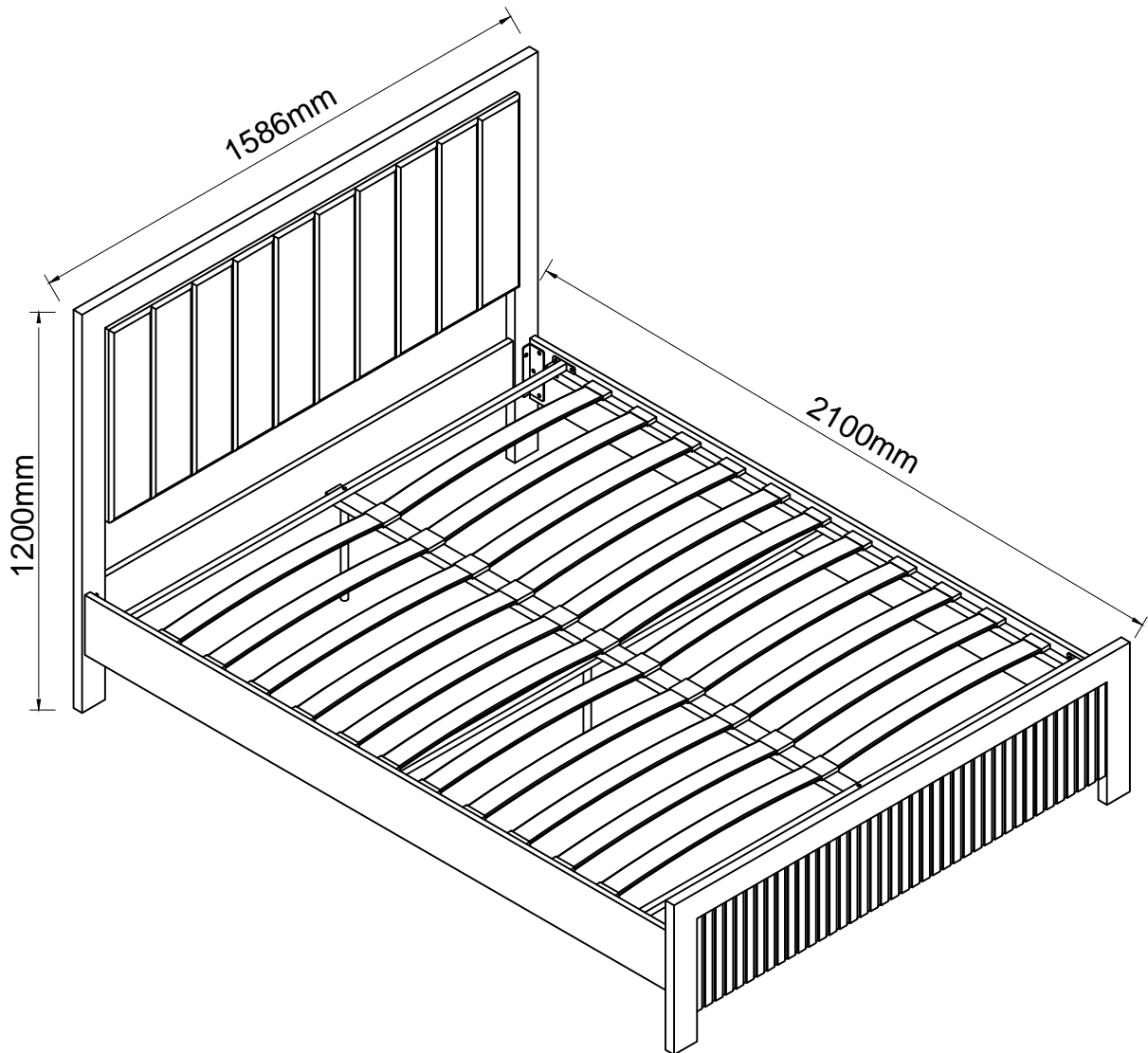


# ASSEMBLY INSTRUCTION

## PESCIA

QUEEN BED

ITEM CODE: 87222



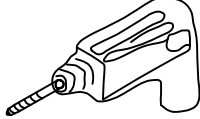


Imported by JWA Furniture Pty Ltd, Brisbane, QLD, Australia  
For any assistance with assembly or for missing parts, please refer to your receipt

# PRE-ASSEMBLY PREPARATION

## Before you start:

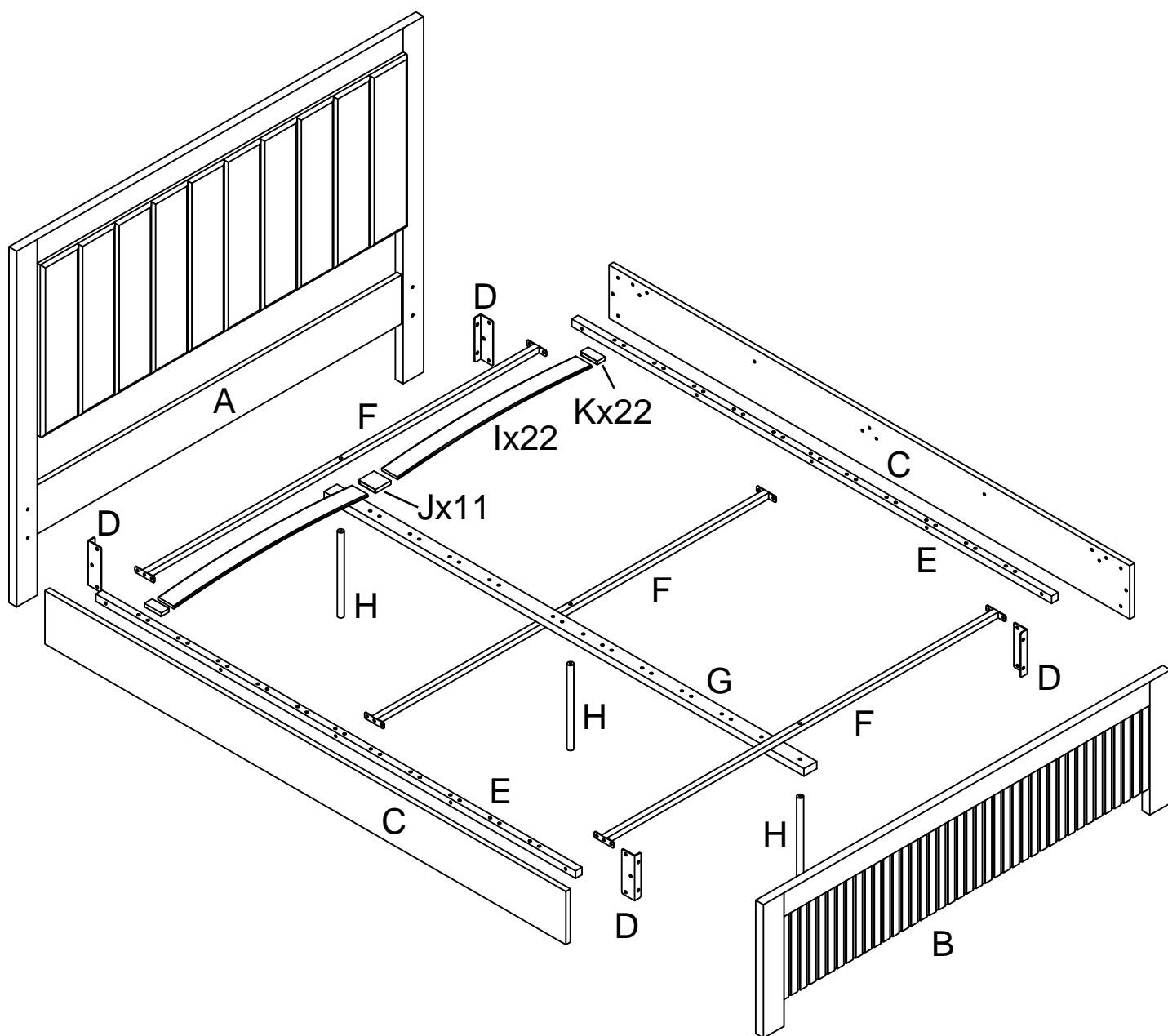
1. Choose a clean, level, spacious assembly area. Avoid hard surfaces that may damage the product.
2. Take care when lifting. Product should be assembled as near as possible to the point of use.
3. Ensure that you have all required contents for complete assembly.
4. Always read the assembly instructions carefully before beginning assembly.
5. Keep all hardware parts and packaging out of reach of small children.
6. Do not over tighten the screws and bolts as this may damage the threads.
7. Assembly is to be carried out by a competent adult(s) ONLY.
8. During assembly, children should be kept away from the product due to possible risk to injury.
9. Do not use this item if any components are missing or damaged.
10. Please keep the instructions for future reference.

		IF REQUIRED 
Allow 60 min	For 2 person	Low speed (Ø6mm)


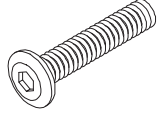
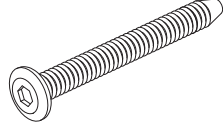
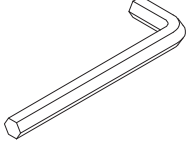
BOX 1: C x 2  
D x 4  
E x 2  
G x 1  
H x 3  
I x 22  
J x 11  
K x 22

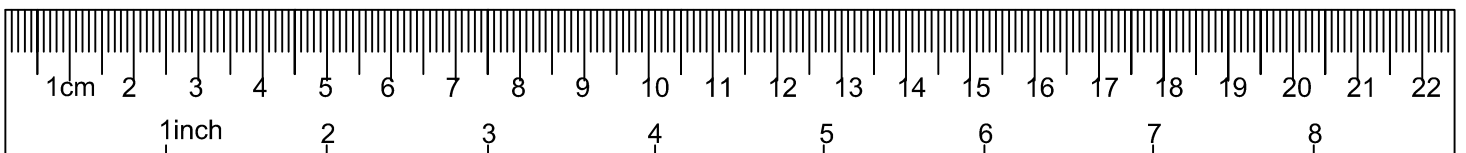
BOX 2: A x 1

BOX 3: B x 1  
F x 3

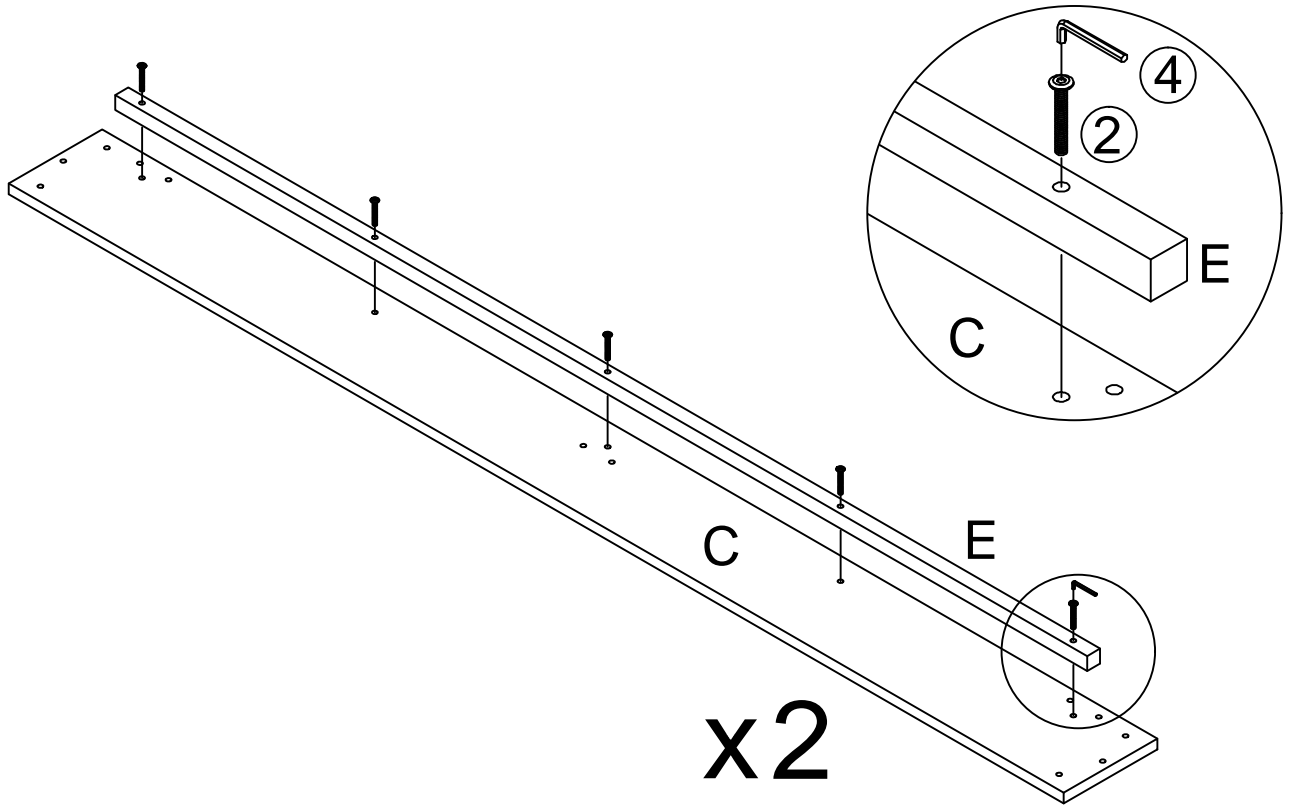


Please note - All Hardwares in box 1.

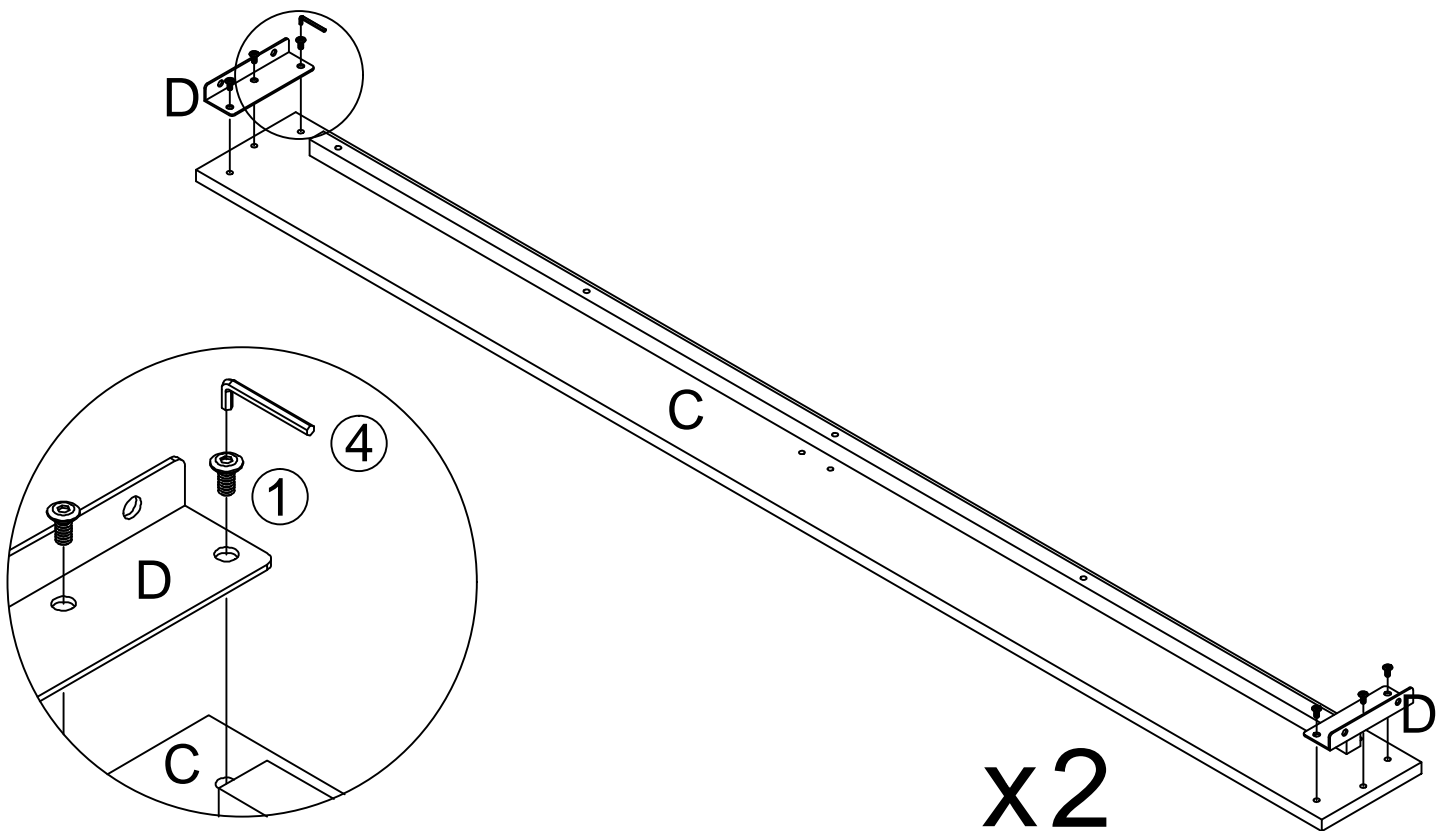
① 	② 	③ 	④ 				
M6×12mm	32PCS	M6×35mm	10PCS	M6×60mm	3PCS	M4	1PC



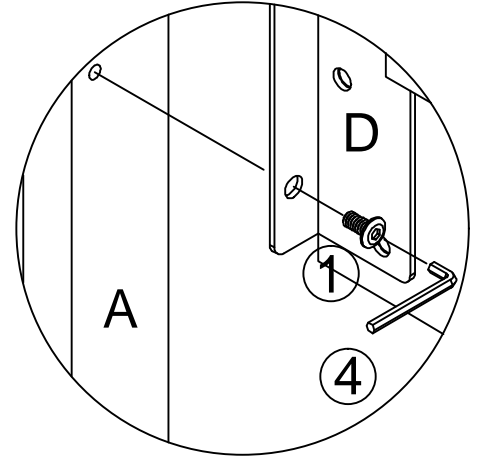
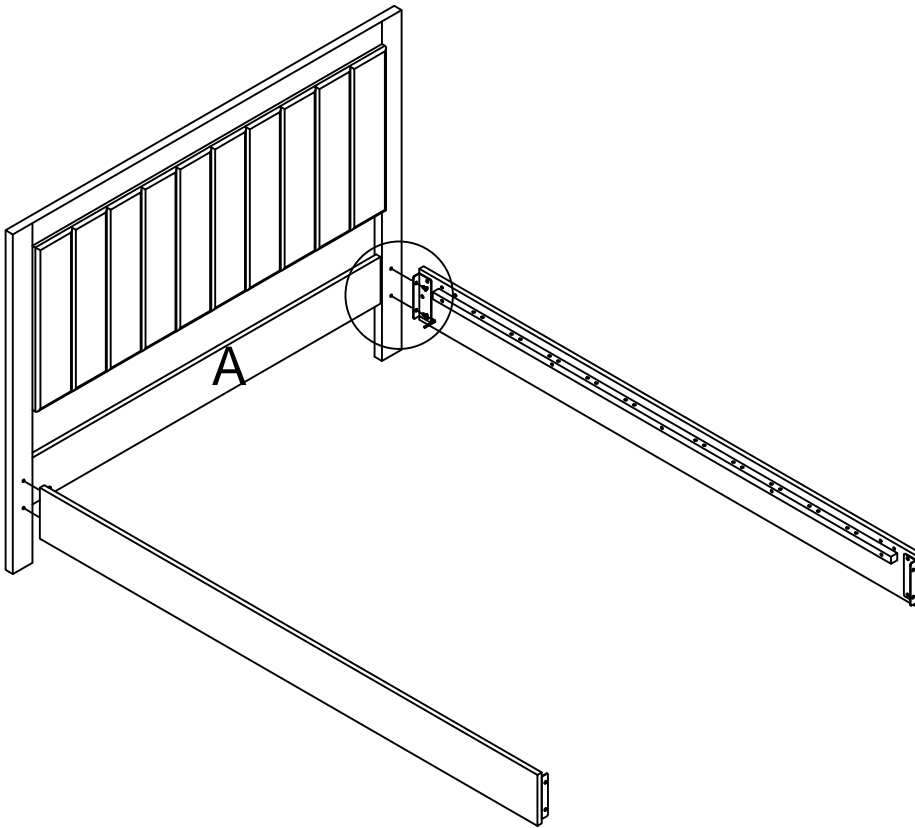
# 1



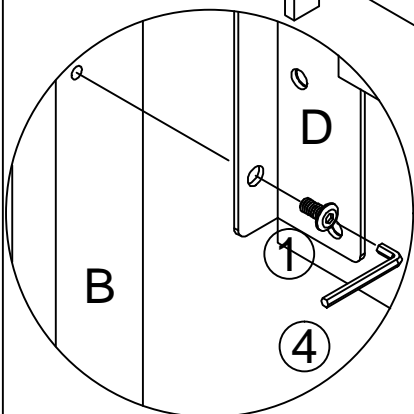
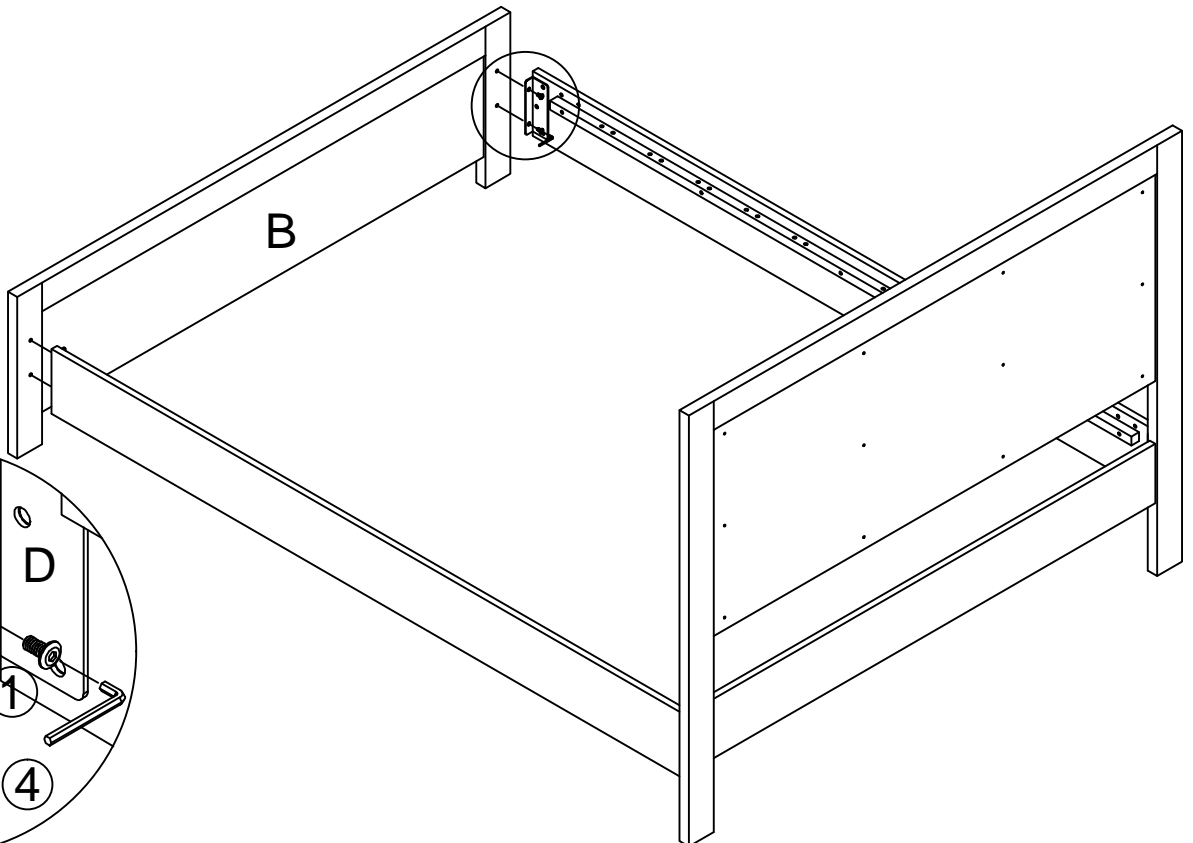
# 2



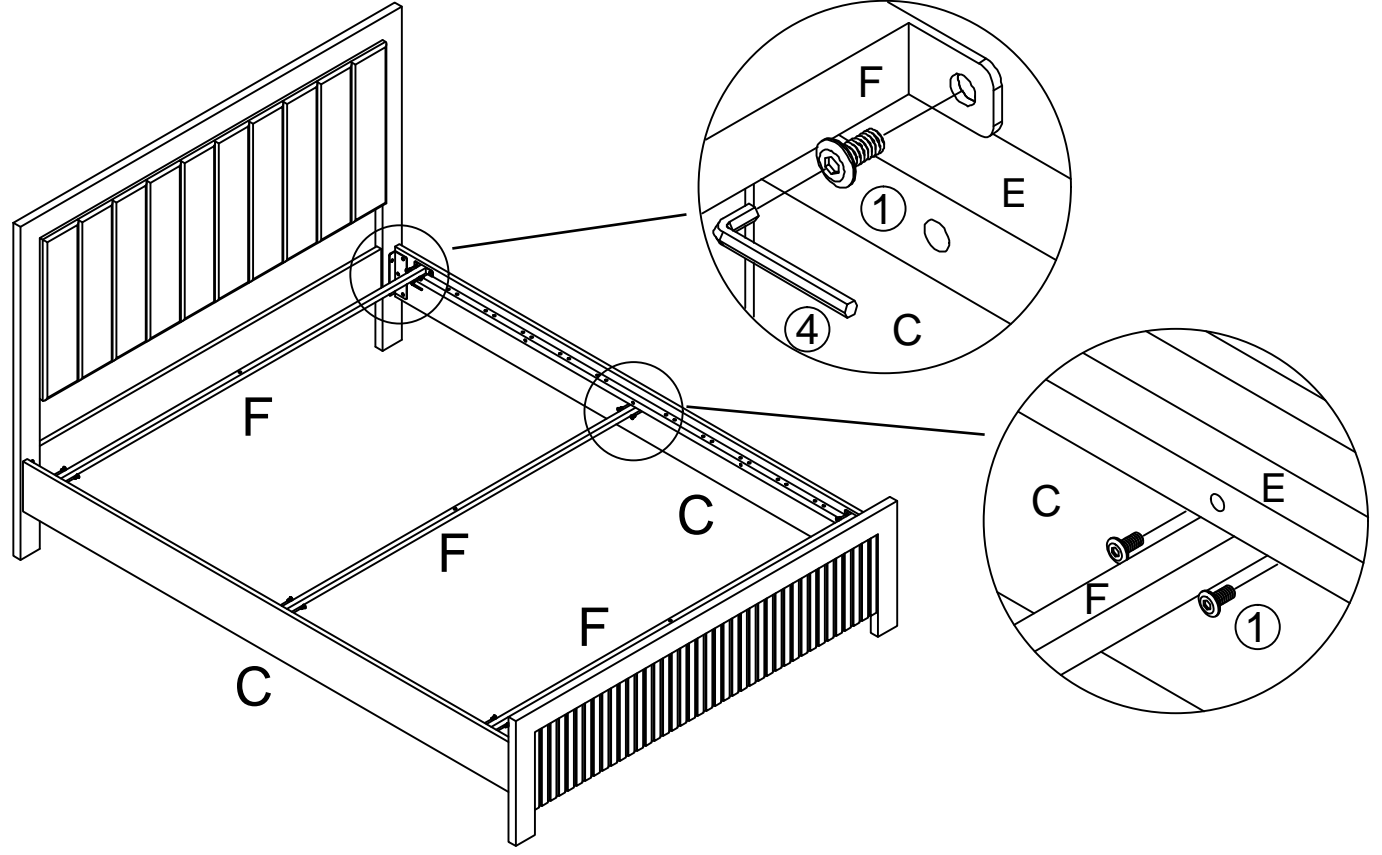
# 3



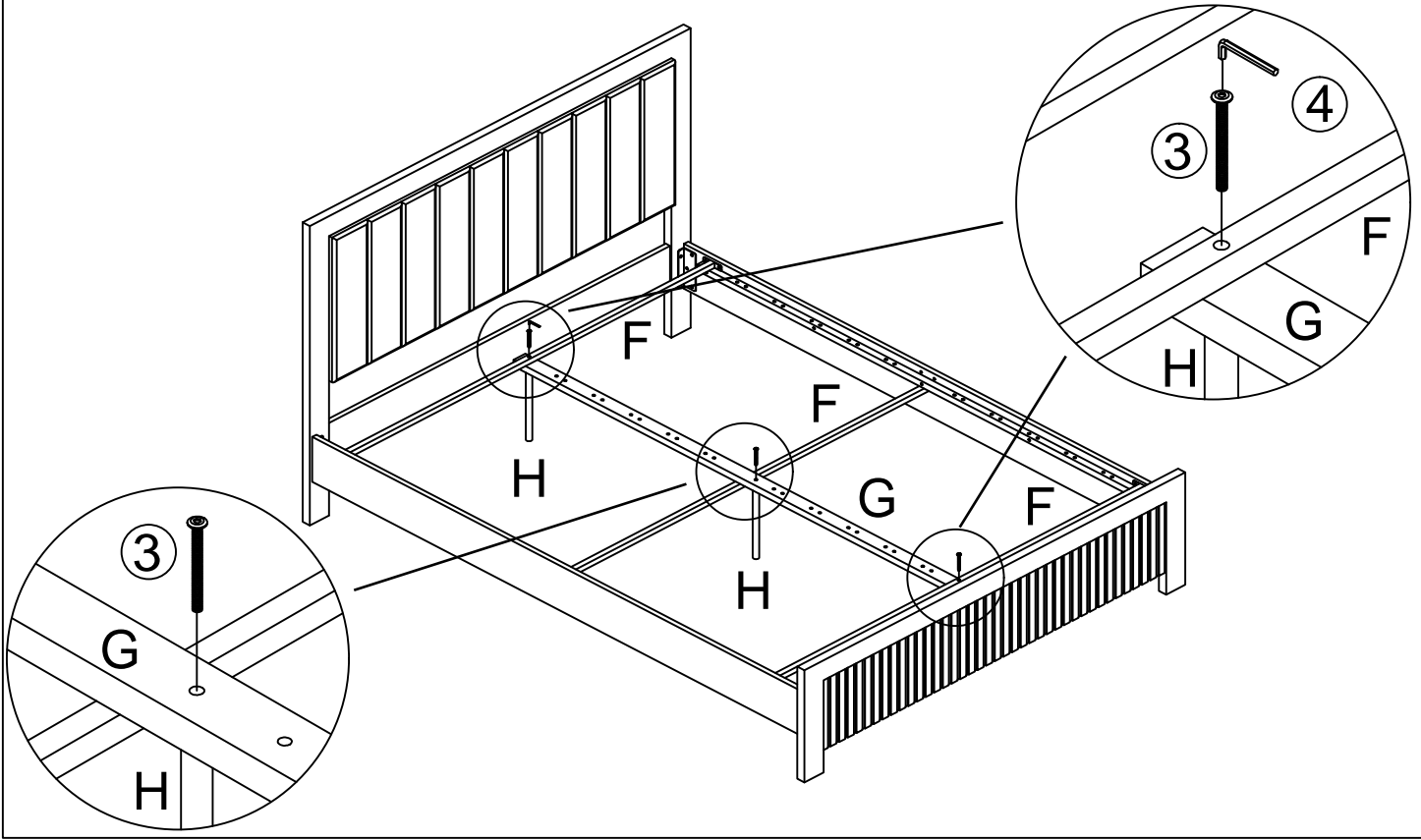
# 4



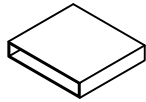
# 5



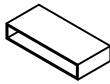
# 6



# 7

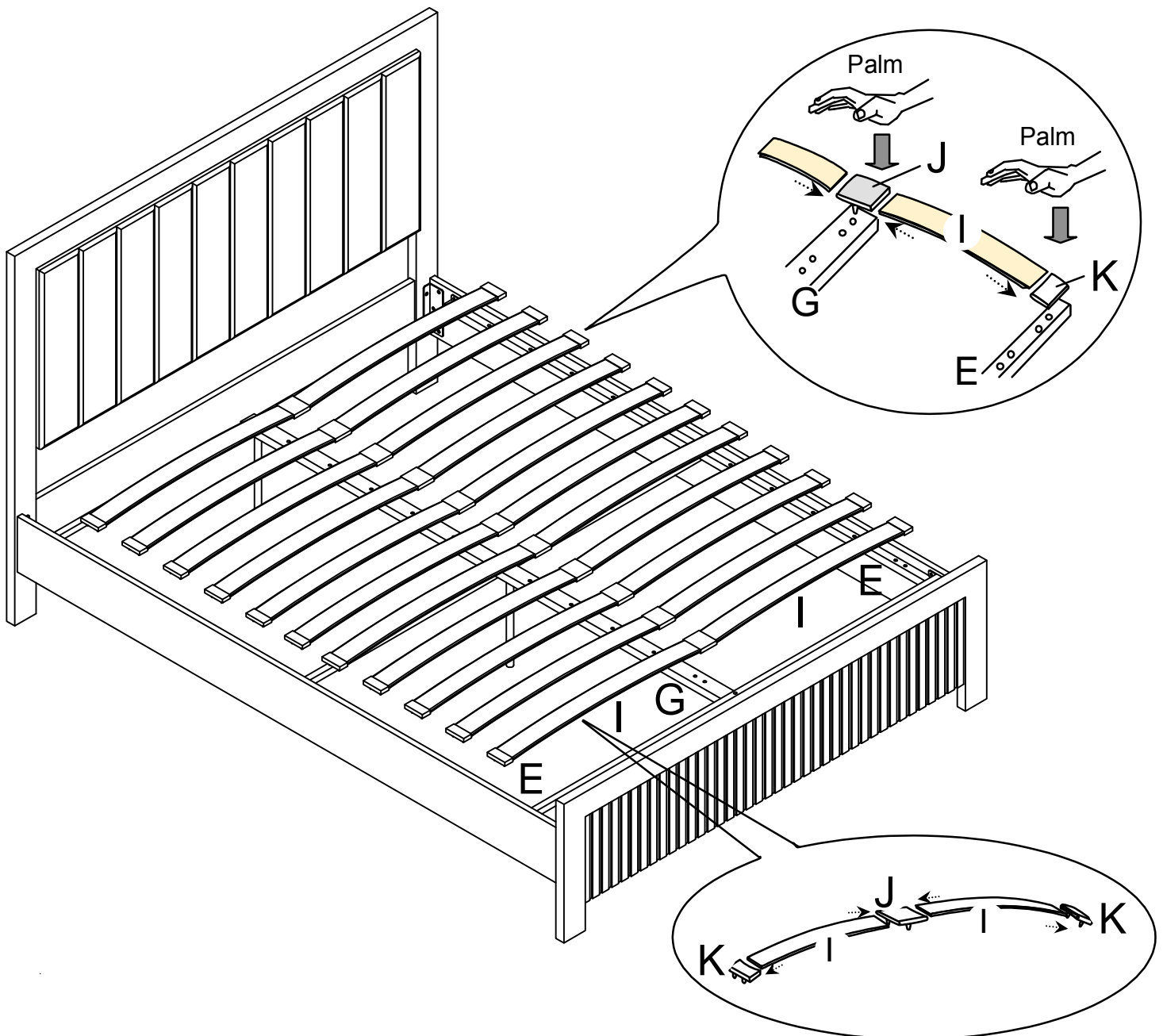


J x 11

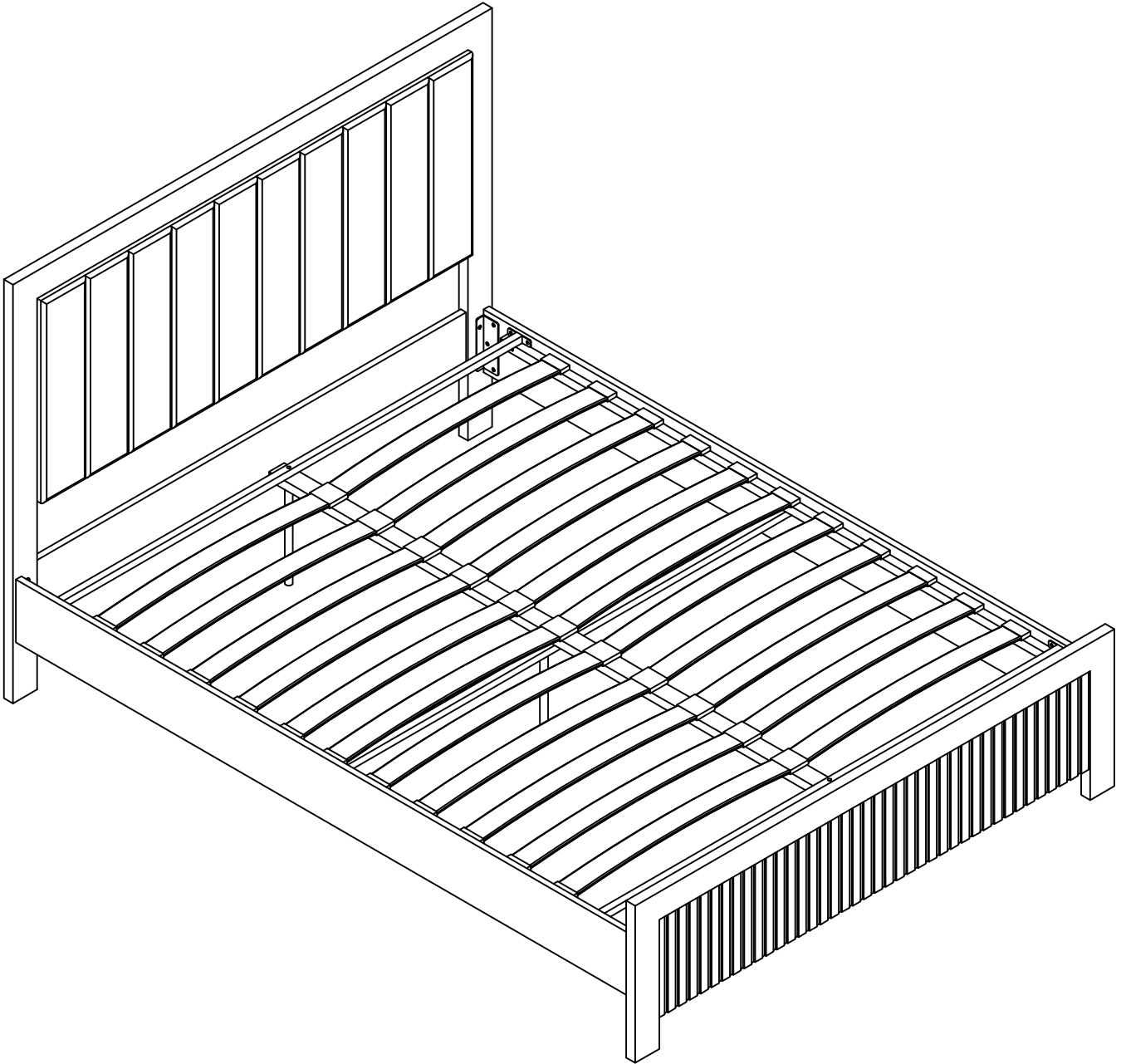


K x 22

Insert the Bend Wood Slats (I) into the Side/Centre Plastic Holder (J) (K)  
Align the pins on the Side/Centre Plastic Holders (J) (K) to the holes  
along the Side/Centre Rail (E) (G) . Gently tap them into the holes.



# ASSEMBLY IS COMPLETE



**CAUTION:**

ALWAYS LIFT YOUR BED WHEN MOVING/RELOCATING, DONOT DRAG, DRAGGING CAN CAUSE DAMAGE TO THE BED.

## To protect your furniture, we suggest the following:

- Avoid placing your furniture in direct sunlight.
- Do not place furniture directly under windows.
- Do not place sharp materials (knife, fork, etc.) directly onto your furniture as sharp material may scrape and damage the finish.
- Do not place material with high temperature directly onto the surface surface of furniture.
- Clean up spills quickly. Water left over a prolonged period of time may cause damage. Alcohol, perfume, nail polishes, aftershave and some medication may cause severe finish damage if not cleaned immediately.
- Use a clean, soft, dry, lint free absorbent cloth to clean your furniture. Do not use any detergent as they may contain ingredients that may react and damage the finish.
- **NOTE:** If the above care advise is not adhered to your product warranty may become void.